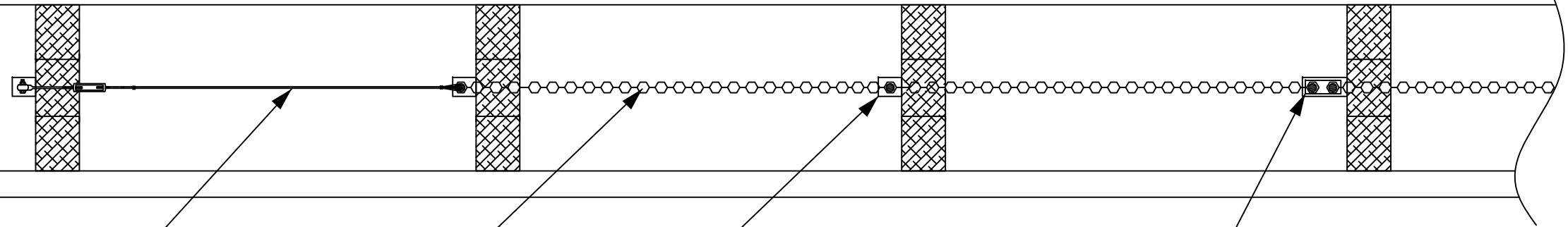


PLAN VIEW

NOTE: Details also apply to Single-sided Guardrail. Double-sided Median Guardrail is shown.



NOTE: Brackets may be placed on either side of Guardrail Post, as needed.

Cable Anchor/End Treatment Assembly, 1/4" Steel Cable, Typical.

Screen/Barrier Fabric, Coated Double-Reverse Corrugated (DRC) Steel, Typical.

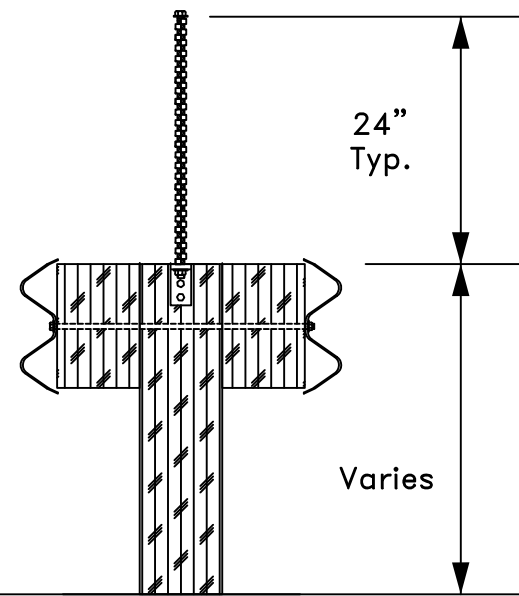
Single Post Bracket and Post Bolt at each Guardrail Post, Typical.

Screen Fabric Splice, Approx. every 50 ft, or as needed. Splice Bracket, Top Splice Plate & 2 Post Bolts, Typical.

Post Spacing May Vary (6'-3" Typ.)

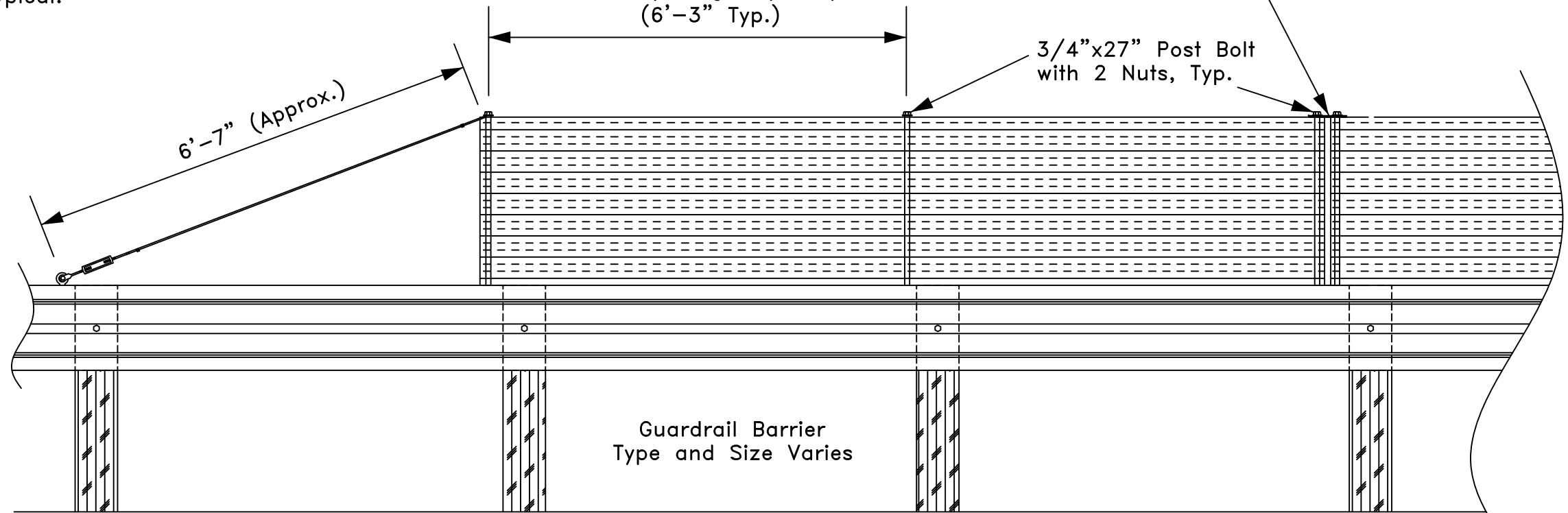
3/4"x27" Post Bolt with 2 Nuts, Typ.

6'-7" (Approx.)



24" Typ.

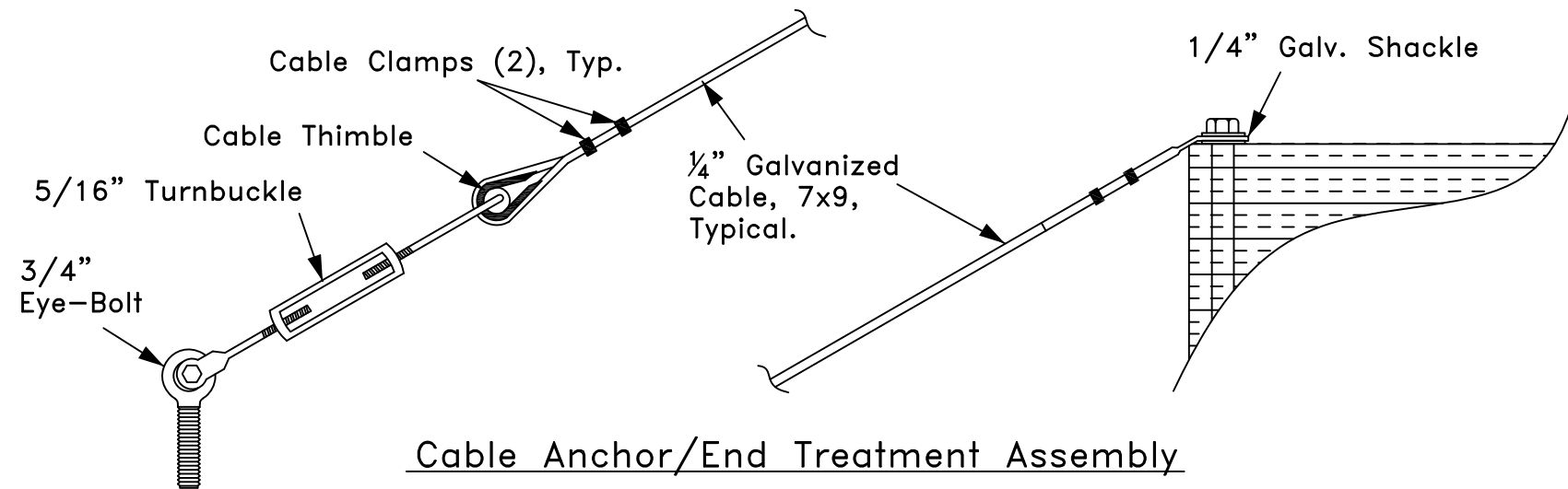
Varies



Guardrail Barrier Type and Size Varies

SECTION VIEW

SIDE ELEVATION VIEW



Cable Anchor/End Treatment Assembly

TRANSPO® 20 Jones Street
New Rochelle, NY 10801
INDUSTRIES, Inc. 914-636-1000
The Smart Solutions Company www.transpo.com

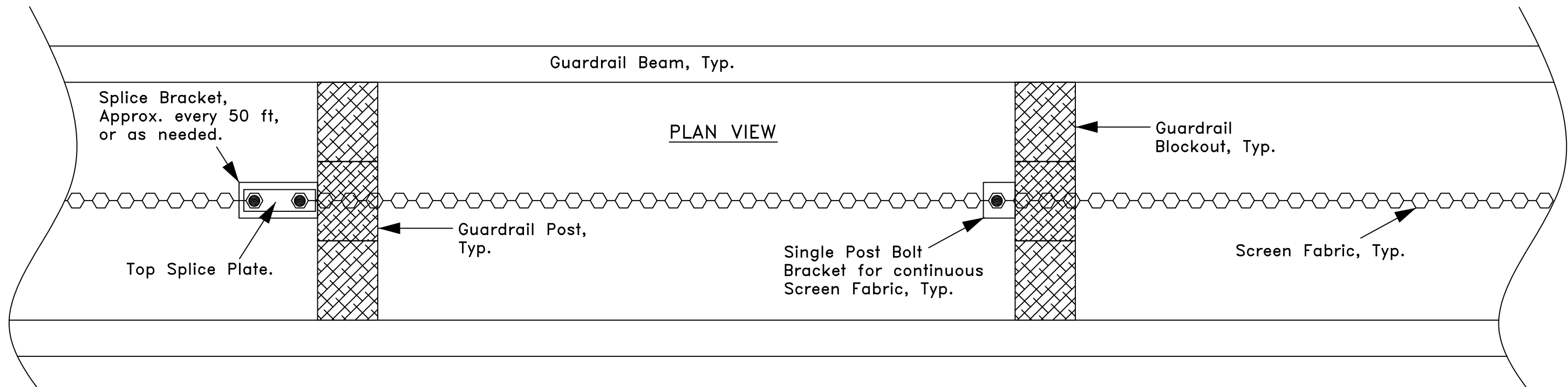
Screen-Safe
Glare Screen & Work-Zone Safety Shield
for Wood-Post Guardrail

Scale: Not To Scale

Date: November 2011

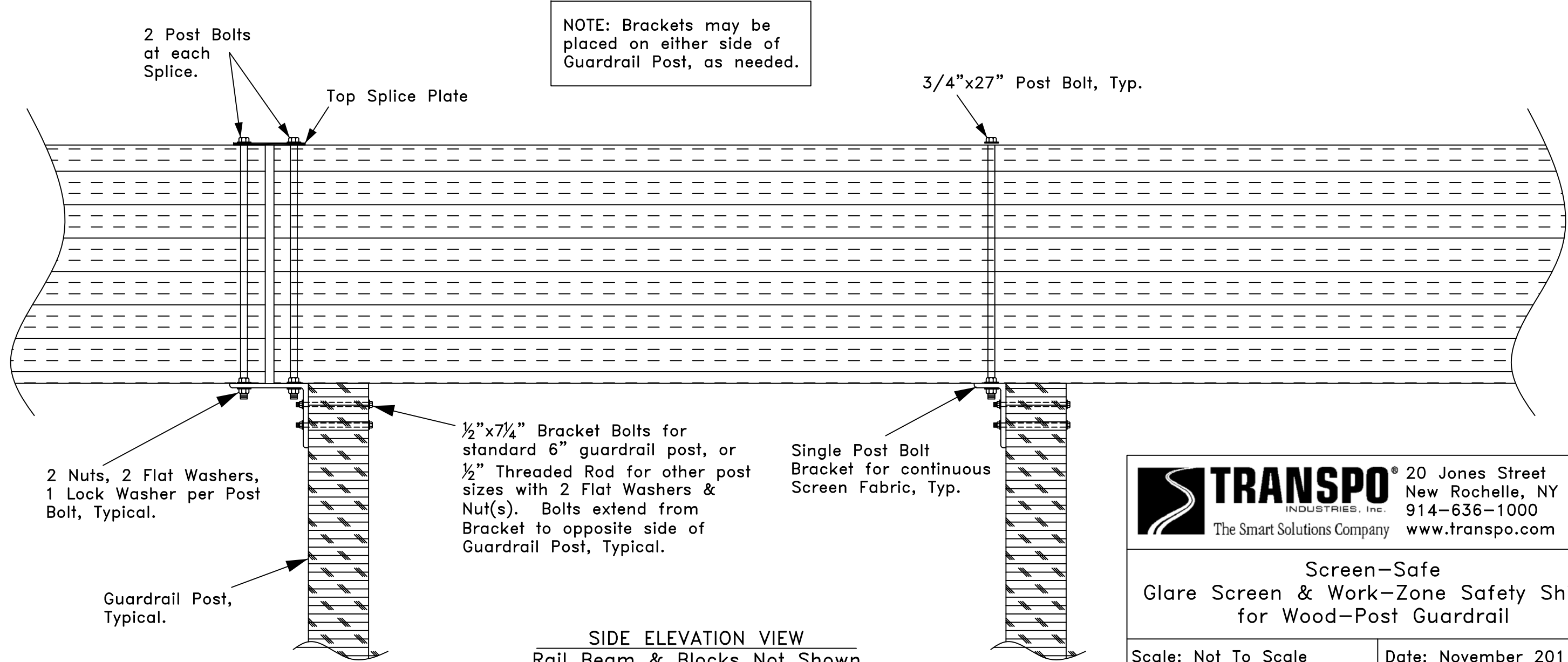
Drawing No. SS-WPGR-1

Sheet: 1 of 3



PLAN VIEW

NOTE: Brackets may be placed on either side of Guardrail Post, as needed.



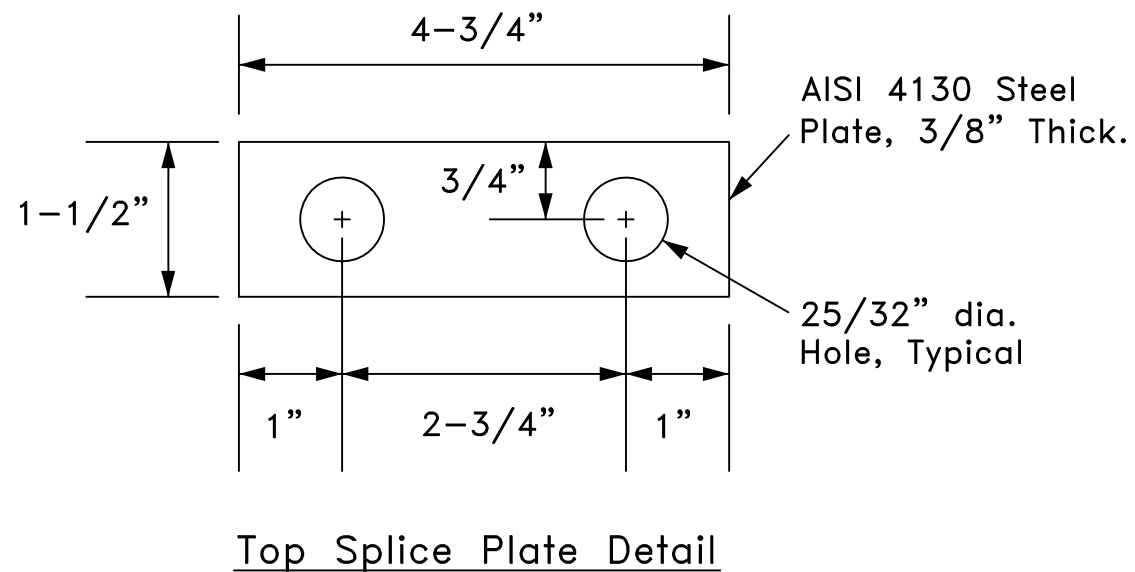
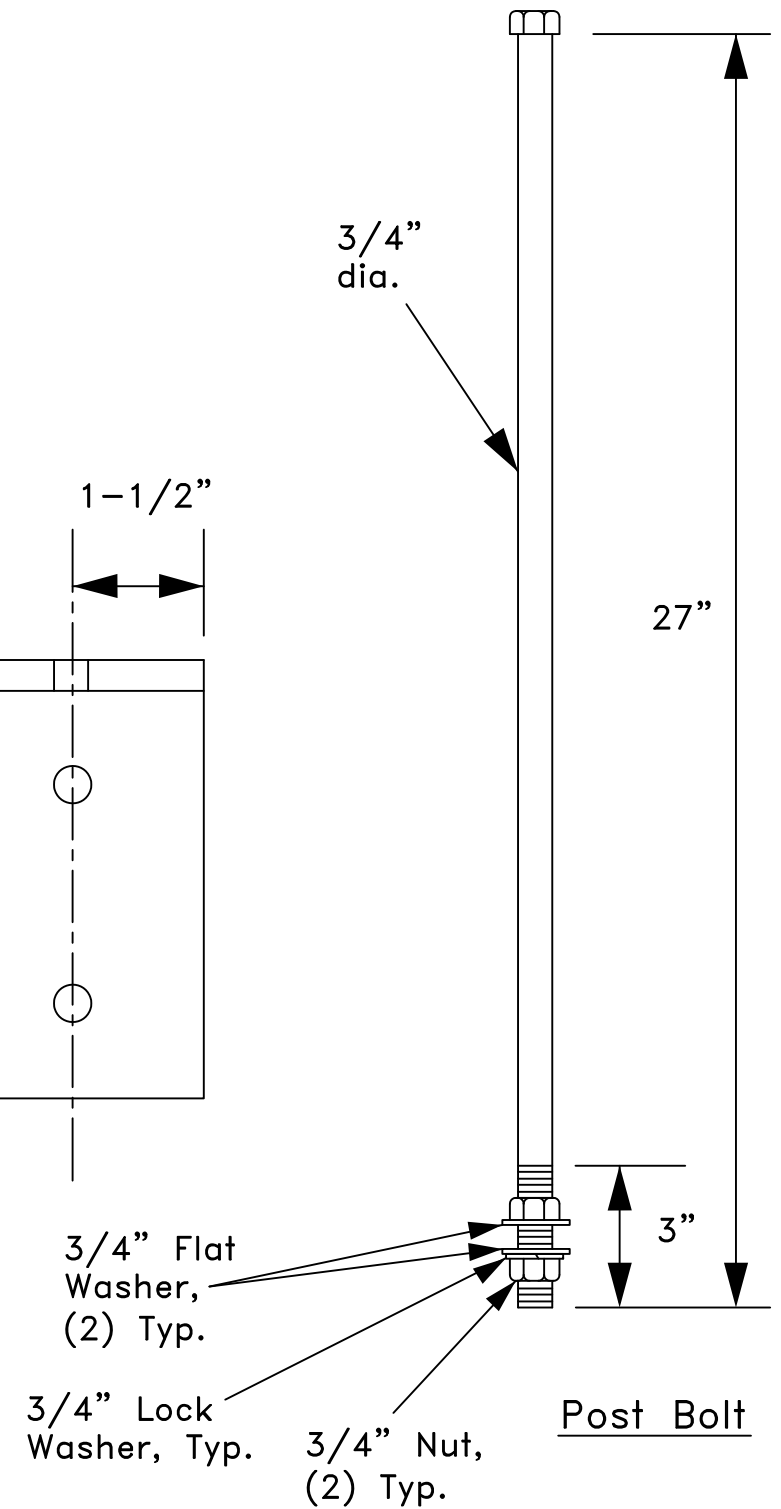
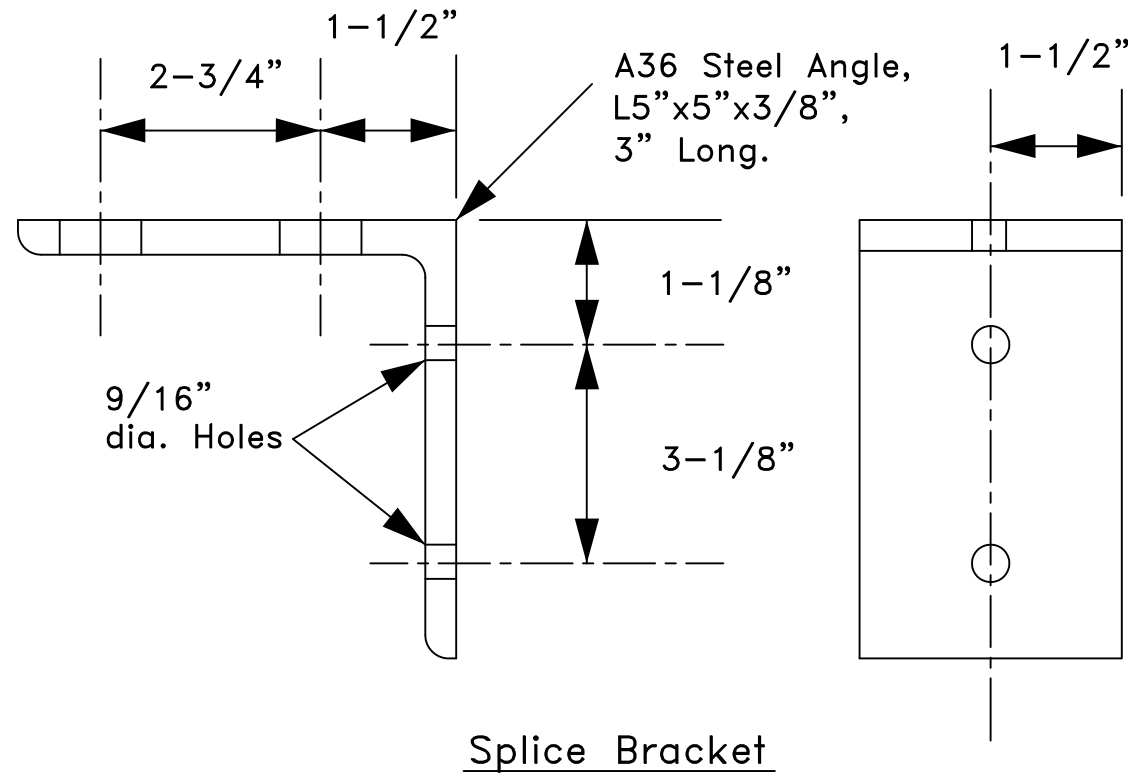
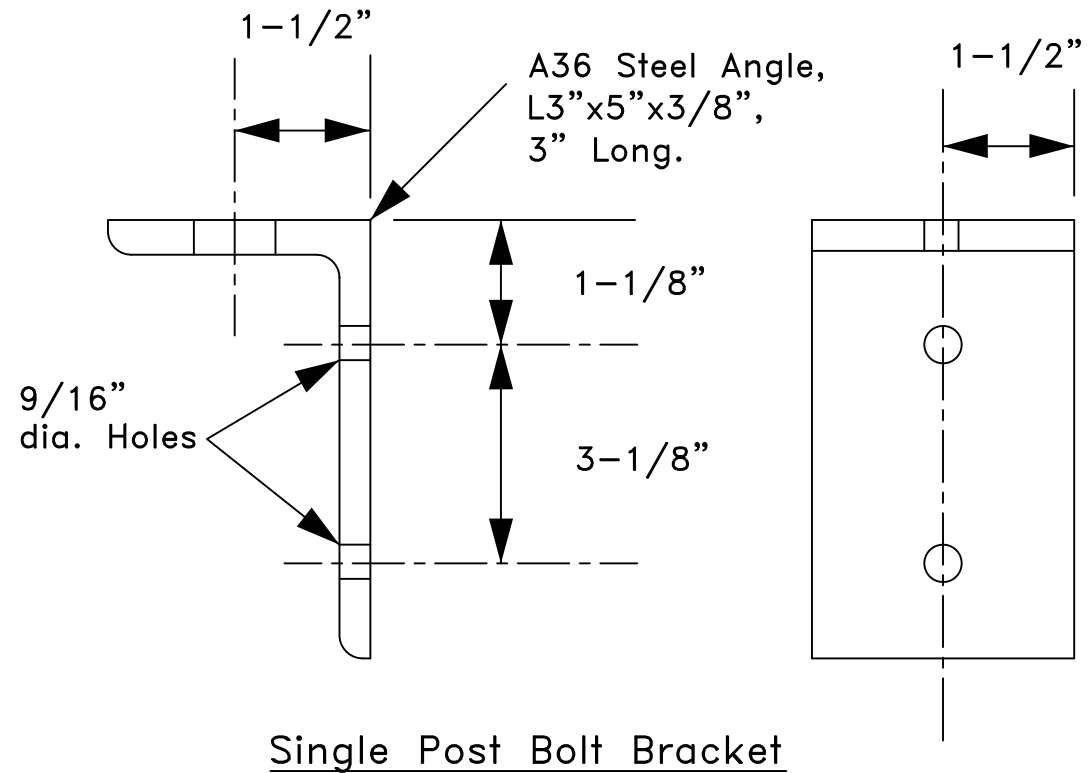
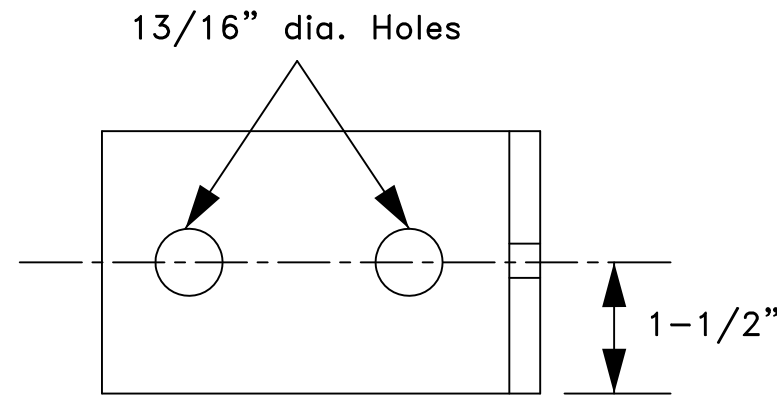
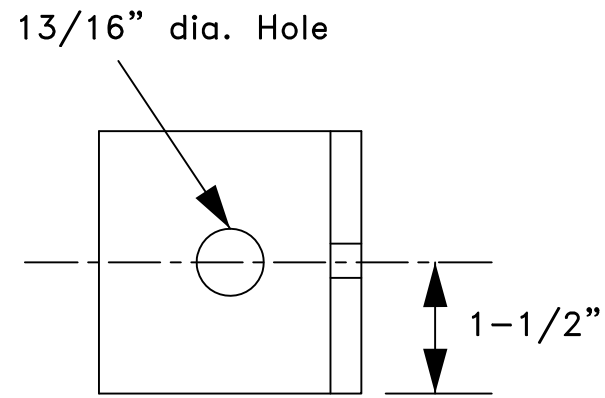
SIDE ELEVATION VIEW
Rail Beam & Blocks Not Shown

TRANSPO® 20 Jones Street
 INDUSTRIES, Inc. New Rochelle, NY 10801
 914-636-1000
 The Smart Solutions Company www.transpo.com

Screen-Safe
 Glare Screen & Work-Zone Safety Shield
 for Wood-Post Guardrail

Scale: Not To Scale Date: November 2011

Drawing No. SS-WPGR-2 Sheet: 2 of 3



TRANSPO® 20 Jones Street
 INDUSTRIES, Inc. New Rochelle, NY 10801
 914-636-1000
 The Smart Solutions Company www.transpo.com

Screen-Safe
 Glare Screen & Work-Zone Safety Shield
 for Guardrail, Component Details

Scale: Not To Scale

Date: November 2011

Drawing No. SS-WPGR-3

Sheet: 3 of 3