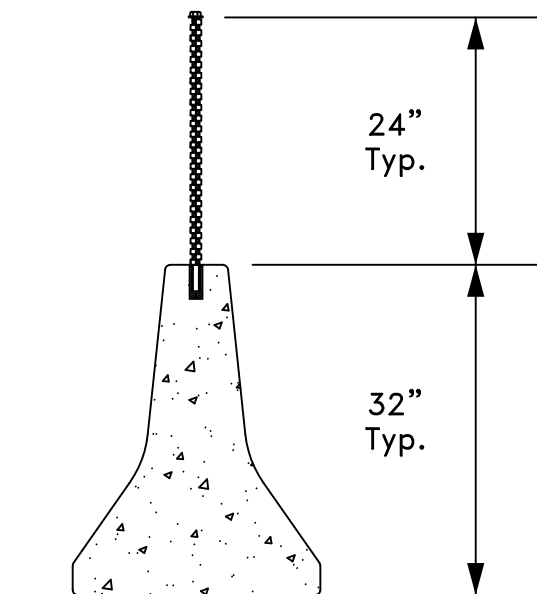
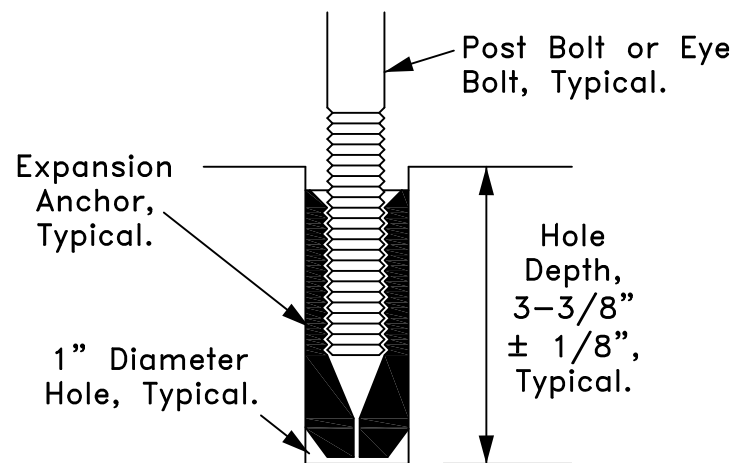


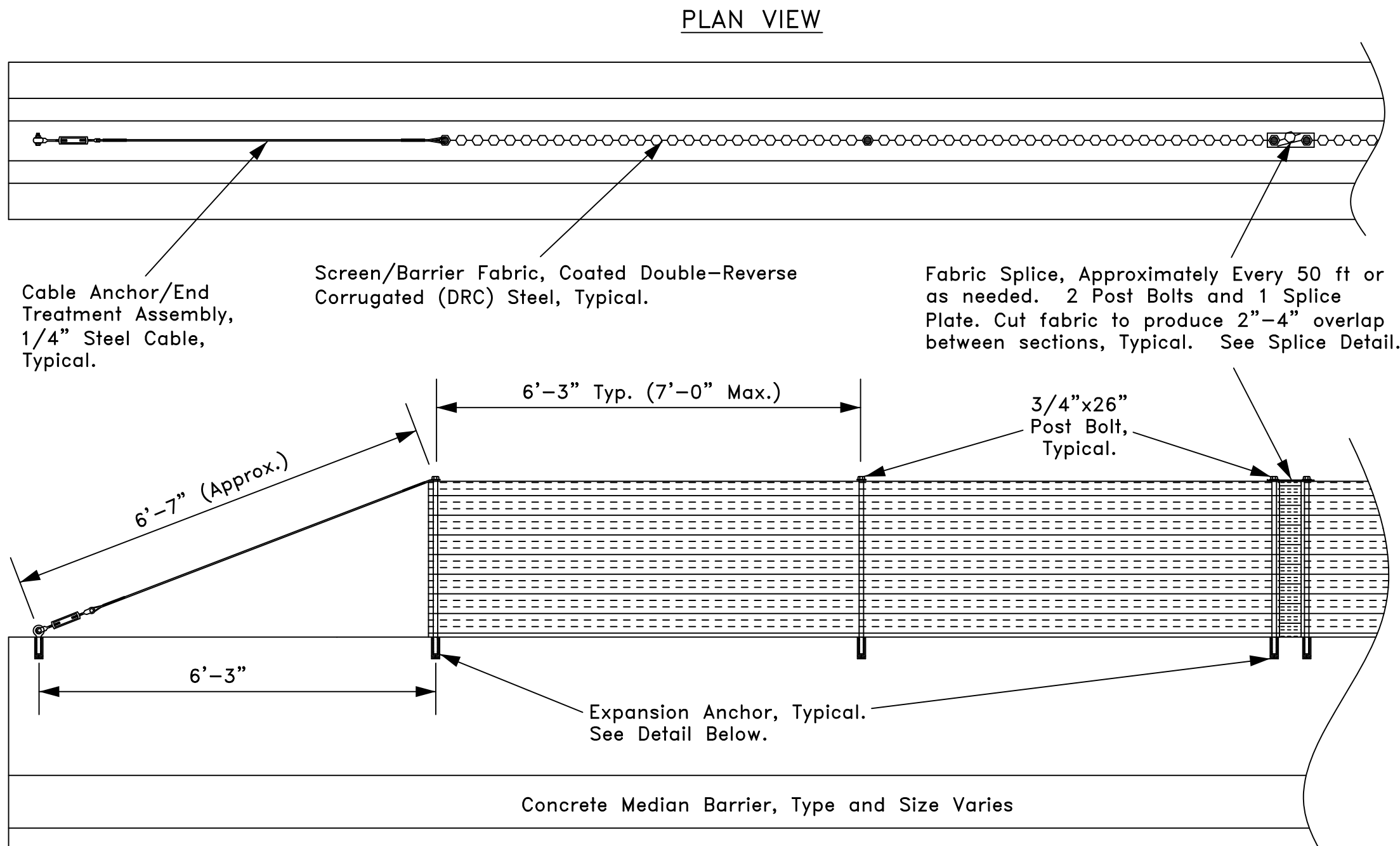
Fabric Splice Detail



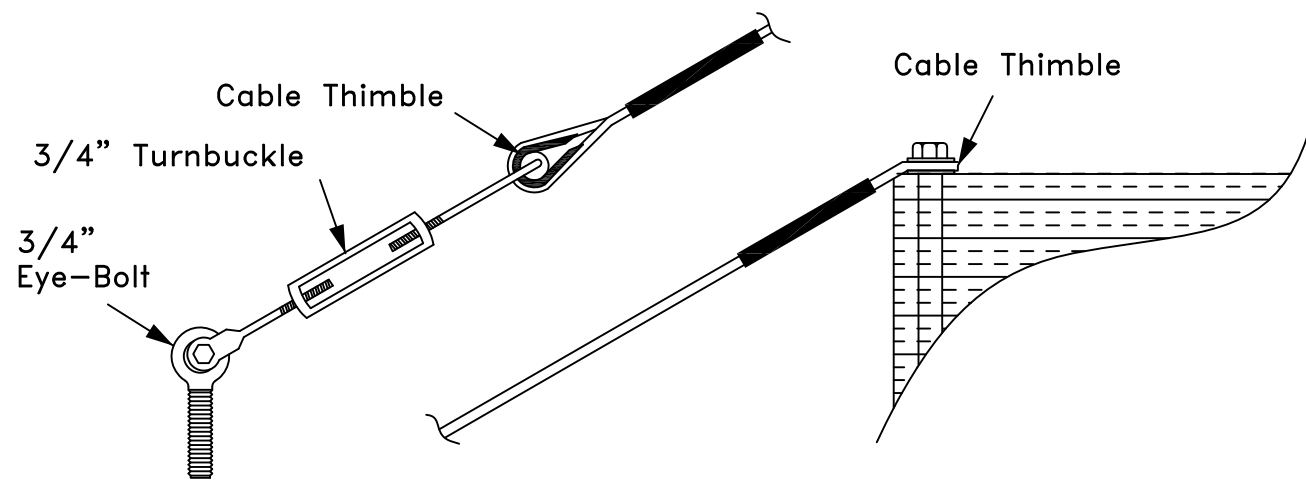
SECTION VIEW



Expansion Anchor Detail



SIDE ELEVATION VIEW

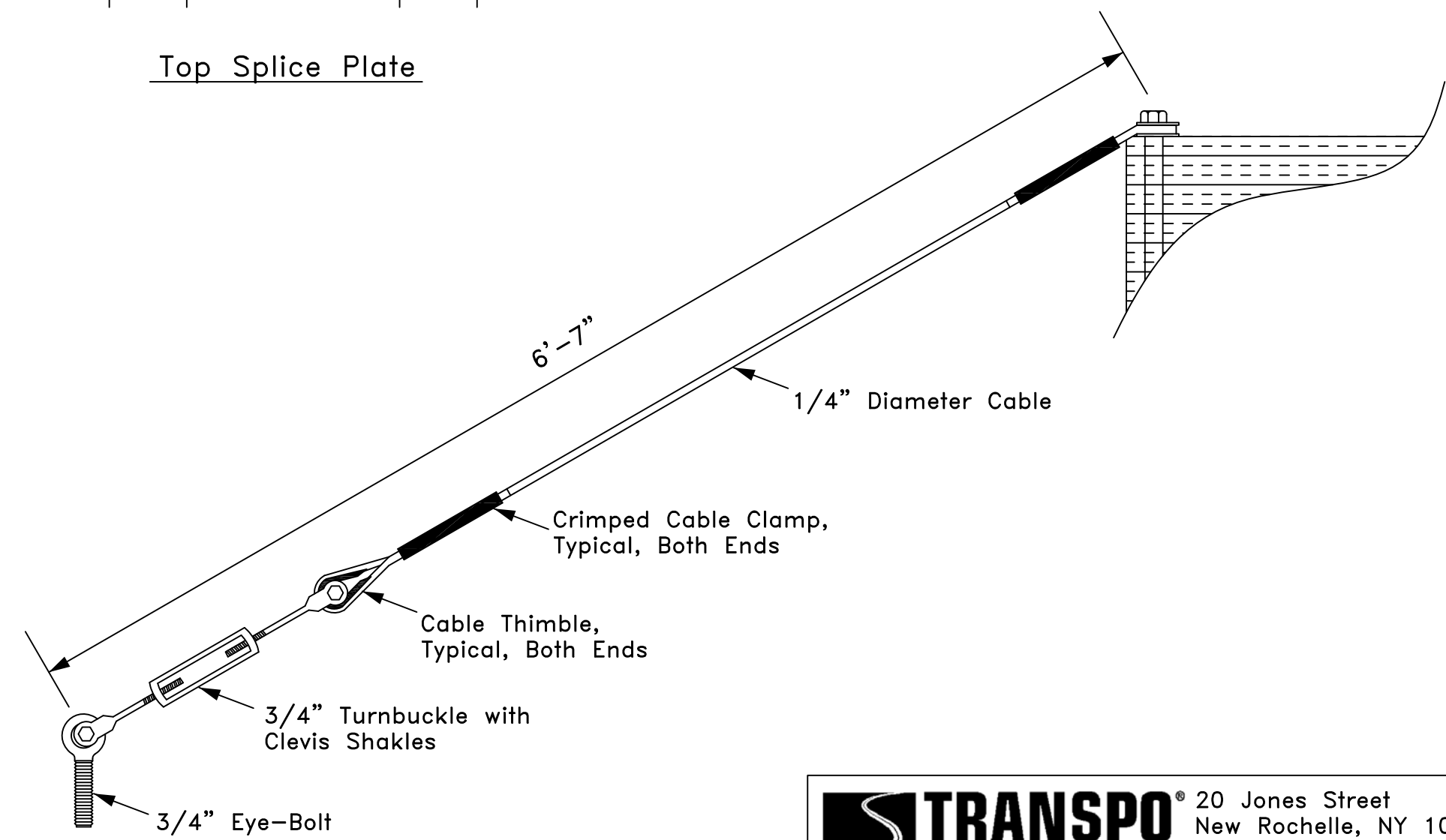
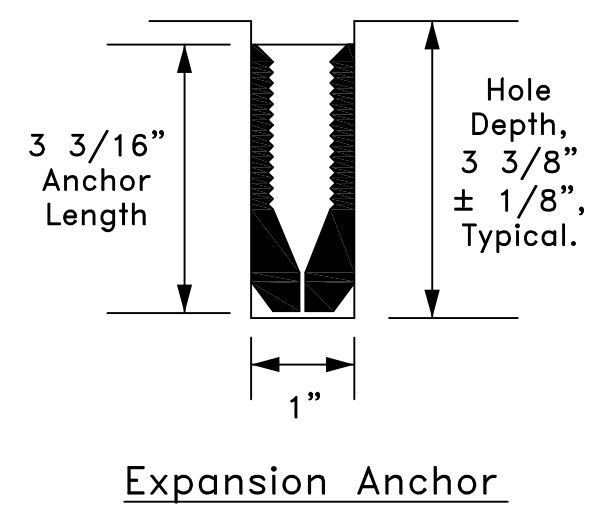
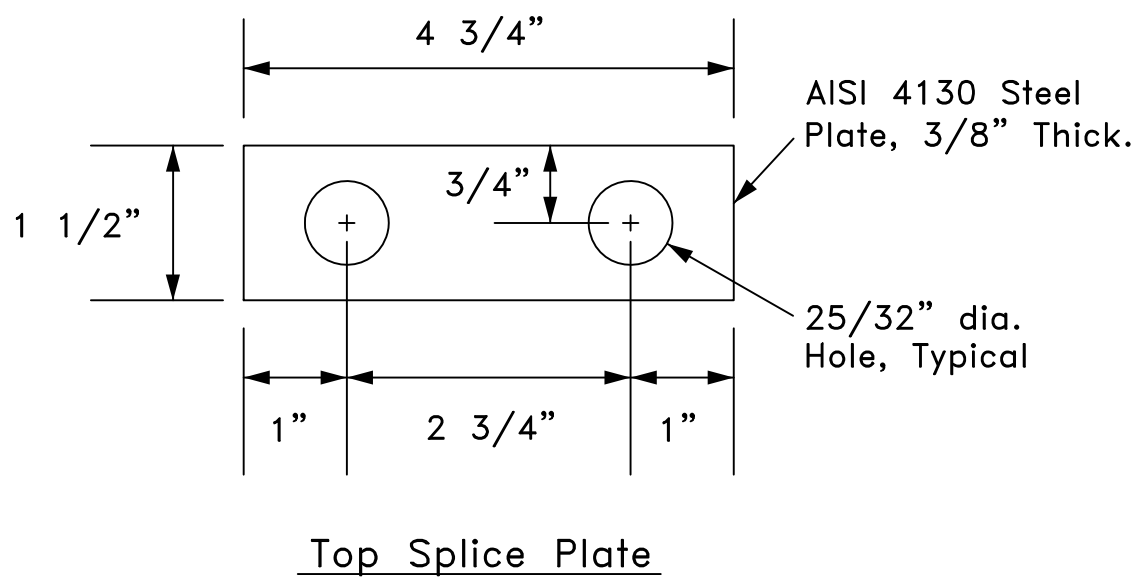
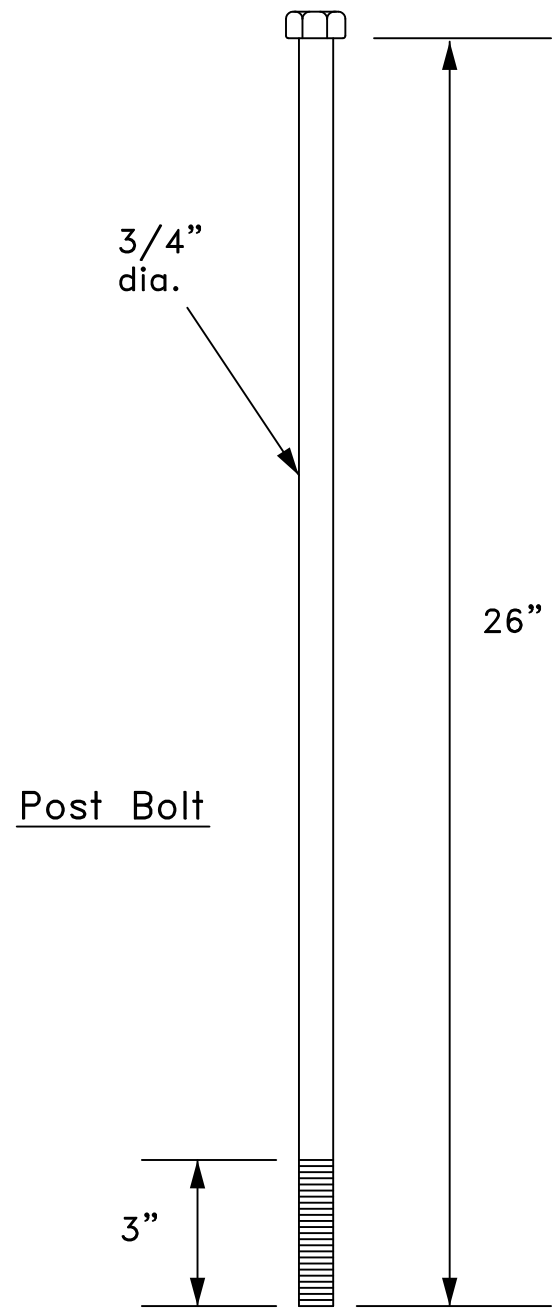


Cable Anchor Assembly

**TRANSPO**® 20 Jones Street  
 New Rochelle, NY 10801  
 INDUSTRIES, Inc. 914-636-1000  
 The Smart Solutions Company www.transpo.com

Screen-Safe  
 Glare Screen & Work-Zone Safety Shield  
 for Concrete Barrier

Scale: Not To Scale	Date: April 2012
Drawing No. SS-CB-1	Sheet: 1 of 2



**TRANSPO**® 20 Jones Street  
 INDUSTRIES, Inc. New Rochelle, NY 10801  
 914-636-1000  
 The Smart Solutions Company www.transpo.com

Screen-Safe  
 Glare Screen & Work-Zone Safety Shield  
 for Concrete Barrier, Component Details

Scale: Not To Scale Date: November 2011

Drawing No. SS-CB-2 Sheet: 2 of 2